



C-CAPSTAN ECAMCV

- Saving a lot of weight and space.
- The electric motor is frequency controlled or pole changeable for different speeds and overload protected by PTC.
- Certification by all major classification societies possible.
- Brake holding force 80 % possible, so there is no need to install a chainstopper.
- Effective warping heads.
- Foundation adapted to frame distance of ship's construction
- Highly efficient, reliable, compact and low weight design.
- Various options on dimensions possible.
- Low noise level, environmental friendly
- Turnkey 'plug and play' delivery. C-Electric Combined Anchor Mooring Capstan are completely tested in the factory.
- The gear case is provided with oil.

OPTIONS AND EXTRAS

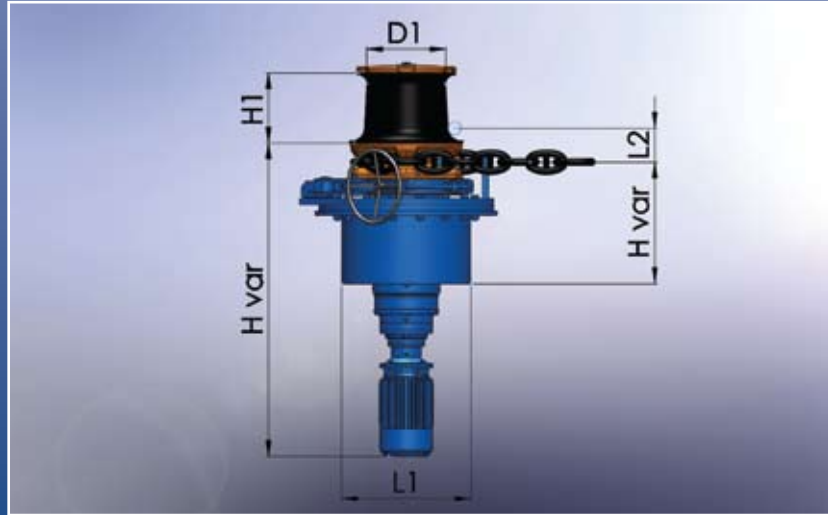
- Speed control system for paying in the chain to prevent damage to the hull and anchor pocket
- Automatic speed control system for paying "out" the chain and anchor (automatic anchor drop system)
- Low speed option for clutch operation
- EEx execution in accordance with ATEX standards
- Hydraulic or pneumatic operated clutch
- Hydraulic or pneumatic operated brakes
- Alarm signals to the boards alarm system
- Higher levels of water tightness above IP 56
- Load measurement indication
- Chain length measurement system
- Shock resistance
- Finished with full paint system
- Radiographic controls
- Remote controls
- Footswitch operation



TECHNICAL SPECIFICATION

C-Anchor Capstans are electric driven capstans and supplied in the range of 24 mm chain to 76 mm chain in quality U2 and U3, with corresponding pulls from 25 kN to 320 kN.

The height of the C- Anchor Capstans is variable in range. The C-Anchors Capstans are mounted into welding frame, which can be made in various options and dimensions.



TYPE	ANCHOR PART NOMINAL PULLING FORCE QUALITY U3	ANCHOR PART BREAK-OFF FORCE QUALITY U3	WARPING PART NOMINAL PULL	ELECTRIC POWER ELECTRIC EXECUTION	DIMENSION D1	DIMENSION H1	DIMENSION H var	DIMENSION L1	DIMENSION L2	WEIGHT
MM	kN	kN	kN	kW	MM	MM	MM	MM	MM	KGS
24	27,36	41,04	20	4,5	325	260	200-800	525	117	1630
26	32,11	48,17	20	5,5	325	260	200-800	525	122	1680
28	37,24	55,86	30	6	325	260	200-800	525	128	1750
30	42,75	64,13	30	6,5	325	260	200-800	525	133	1820
32	48,64	72,96	40	7,5	425	360	250-900	665	158	1880
34	54,91	82,37	40	8	425	360	250-900	665	164	2160
36	61,56	92,34	50	8,5	425	360	250-900	665	169	2280
38	68,59	102,89	50	10	425	360	250-900	665	175	2330
40	76,00	114,00	60	11,5	525	460	300-950	800	200	2510
42	83,79	125,69	60	12,5	525	460	300-950	800	205	2570
44	91,96	137,94	70	14	525	460	300-950	800	211	2640
46	100,51	150,77	70	15	525	460	300-950	800	216	2700
48	109,44	164,16	80	16,5	525	460	400-1000	945	222	3140
50	118,75	178,13	80	18	525	460	400-1000	945	227	3260
52	128,44	192,66	80	19,5	525	460	400-1000	945	232	3510
54	138,51	207,77	80	21	525	460	400-1000	945	238	3780
56	148,96	223,44	100	23	625	560	450-1100	1085	263	3890
58	159,79	239,69	100	25	625	560	450-1100	1085	269	4210
60	171,00	256,50	110	27	625	560	450-1100	1085	274	4530
62	182,59	273,89	120	29	625	560	450-1100	1085	279	4640
64	194,56	291,84	140	31	700	650	500-1100	1225	303	6820
66	206,91	310,37	140	32,5	700	650	500-1100	1225	308	6960
68	219,64	329,46	160	35	700	650	500-1100	1225	314	7180
70	232,75	349,13	160	37	700	650	500-1100	1225	319	7250
73	253,13	379,69	180	40	700	650	500-1100	1330	327	8300
76	274,36	411,54	180	43	700	650	500-1100	1330	335	8530

DISCLAIMER

The information provided in this specification sheet is for informational purposes only. While reasonable care has been taken to ensure that the information contained in this sheet is correct at the time it was made available and C-Nautical B.V. will attempt to keep the information current, C-Nautical B.V. makes no warranty or representation as to the accuracy or completeness of any information in this sheet. September 2010.