



C-CAPSTAN EMCV

- Effective warping heads.
- Foundation adapted to frame distance of ship's construction.
- The electro motor is frequency controlled or pole changeable for different speeds.
- Highly efficient, reliable, compact and low weight design.
- Low noise level, environmental friendly.
- Turnkey '*plug and play*' delivery. C-Capstan are completely tested in the factory. The gear case is provided with oil.

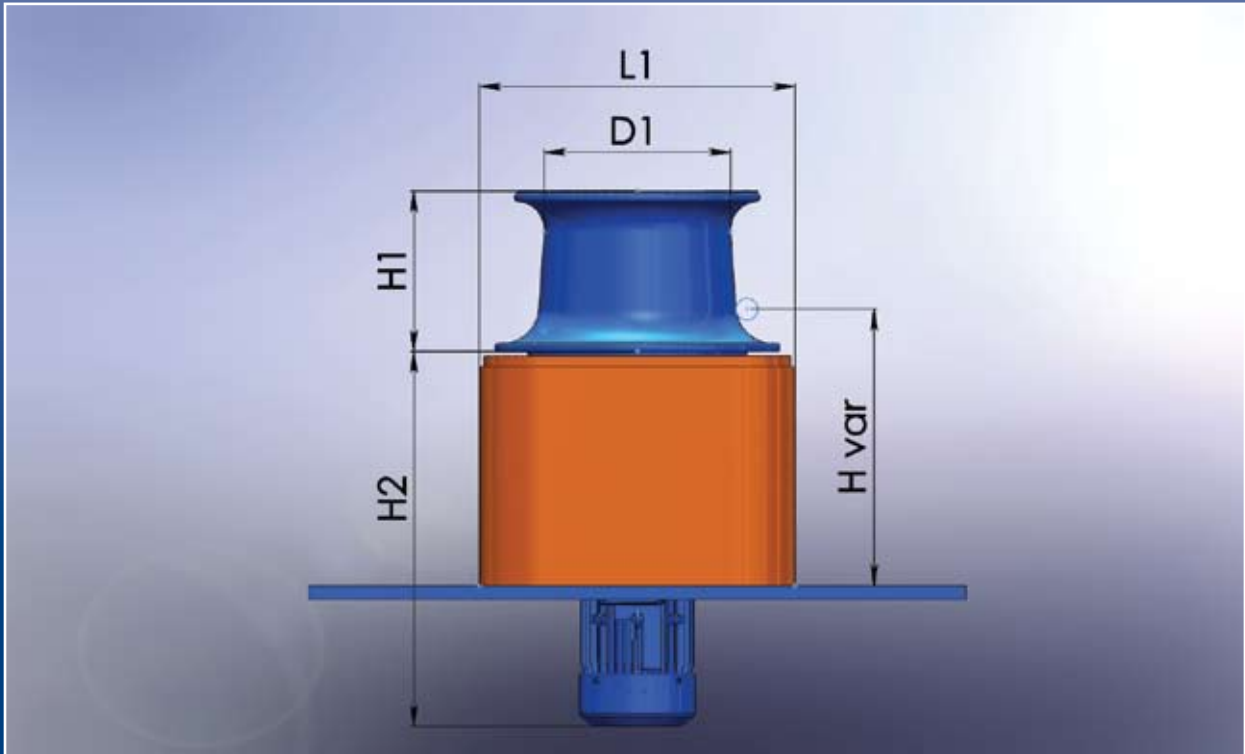
OPTIONS AND EXTRAS

- Finished with full paint system
- Radiographic controls
- Footswitch operation
- Remote controls



TECHNICAL SPECIFICATION

C-Capstans are electric driven capstans and supplied in the range of 30 kN to 200 kN. The height of the C-Capstans is variable in range. The C-Capstans is mounted into welding frame, which can be made in various options and dimensions.



NOMINAL PULLING FORCE	ELECTRIC INSTALLED POWER / ELECTRIC EXECUTION	DIMENSION H1	DIMENSION H var	DIMENSION D1	DIMENSION L1	WEIGHT
kN	kW	MM	MM	MM	MM	KGS
30	5	260	60-750	325	590	520
50	9	360	60-750	425	720	660
75	12	460	90-1000	525	870	790
100	17	460	90-1000	525	870	840
125	22	560	110-1100	625	940	1030
150	26	560	110-1100	625	940	1110
200	35	650	130-1200	700	1030	1460

DISCLAIMER

The information provided in this specification sheet is for informational purposes only. While reasonable care has been taken to ensure that the information contained in this sheet is correct at the time it was made available and C-Nautical B.V. will attempt to keep the information current, C-Nautical B.V. makes no warranty or representation as to the accuracy or completeness of any information in this sheet. October 2009.